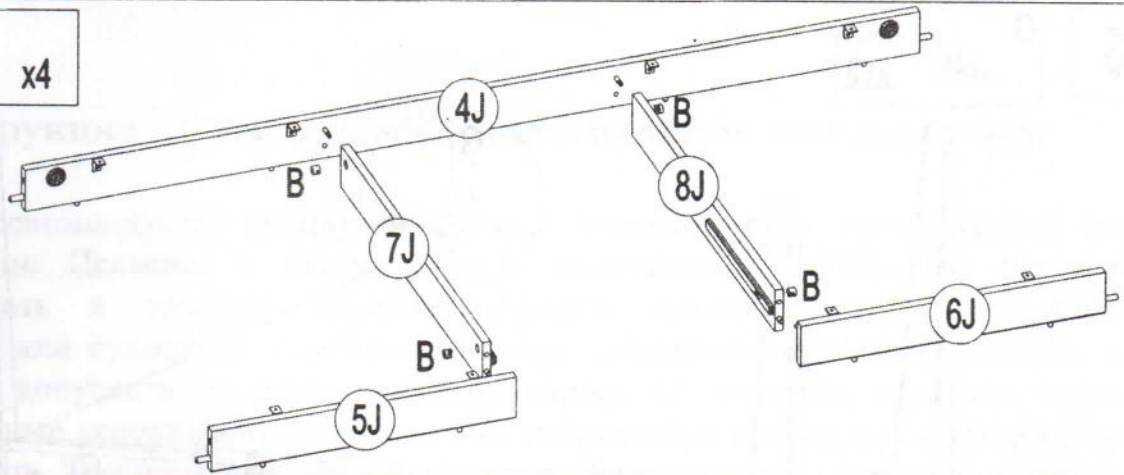
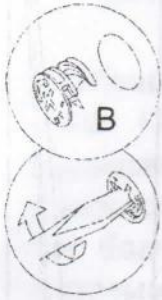


90 min

EAC

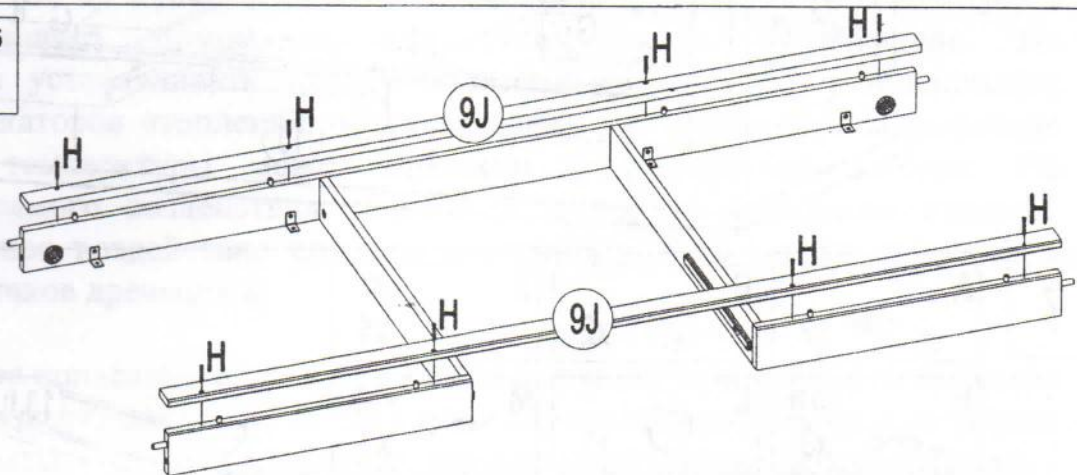
2

B x4



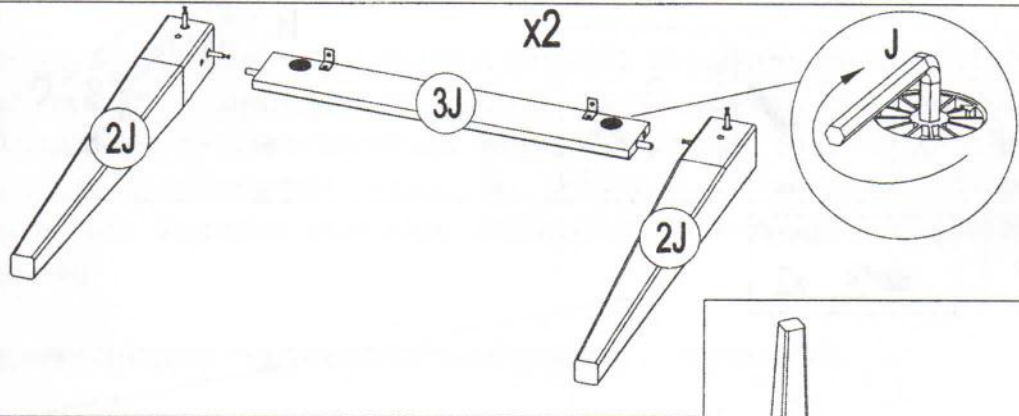
3

H 3.5x35 x8



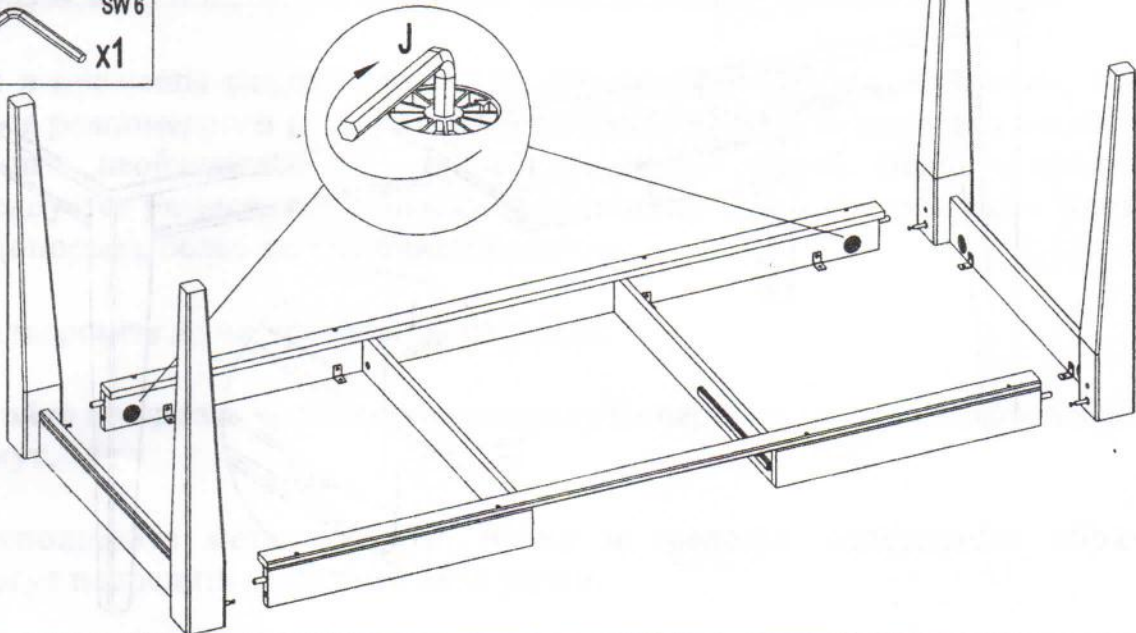
4

J SW6 x1



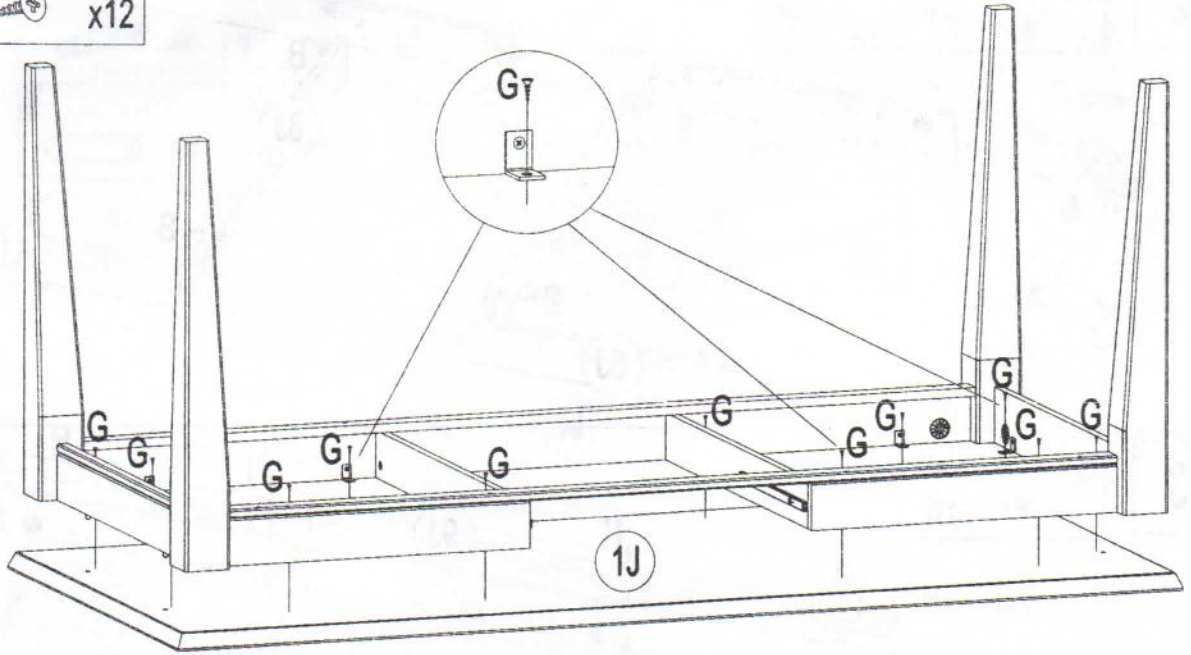
5

J SW6 x1



6

G 3.5x15
x12



7

A x2

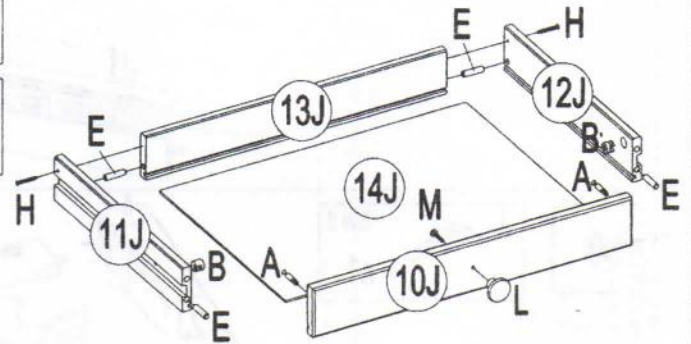
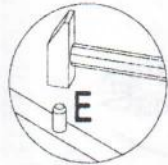
B x2

E 6x32
x4

H 3.5x35
x3

L x1

M M4x22
x1



8

I M4x10
x2

